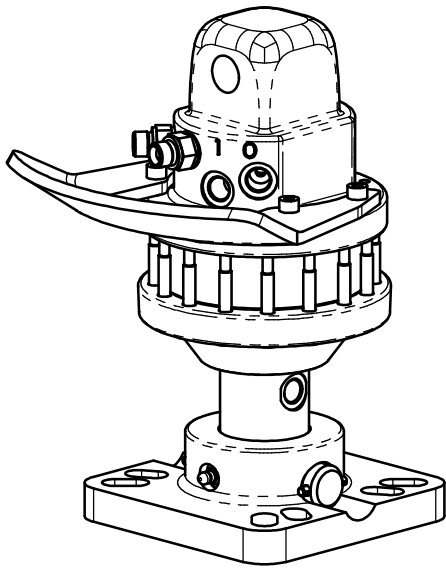
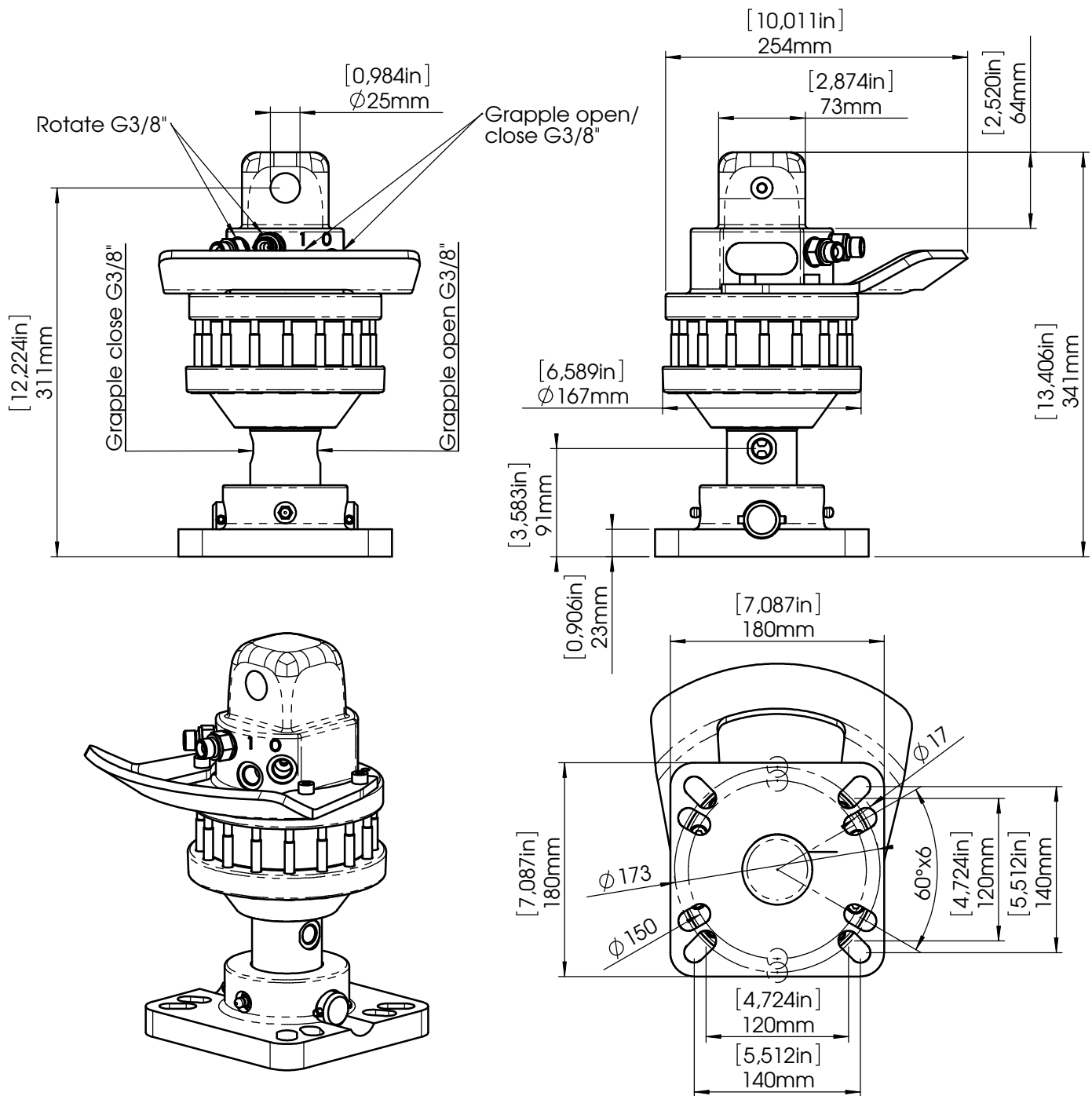
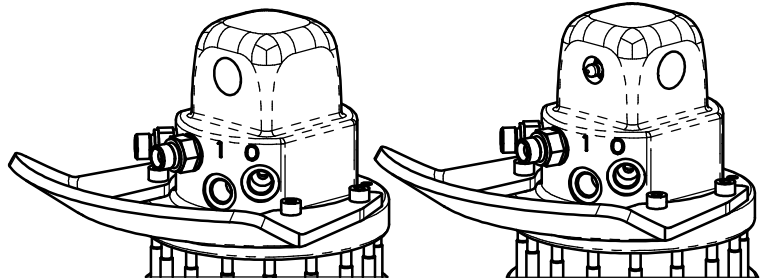


Rotator FR 10 BM



Direction W

Direction X



FR 10 BM	
Rotation angle	Unlimited
Max. working pressure	200 bar
Displacement	420 cm ³
Torque (200 bar)	1000 Nm
Max. axial force	60 kN
Safe working load	4000 kg
Weight	26 kg

Basic models			
Item	Name	Direction	Flange
11074	FR 10-X25BM	X	BM
11075	FR 10-W25BM	W	BM

Flange connections: D150 x 6, D173 x 6, 120x120, 140x140